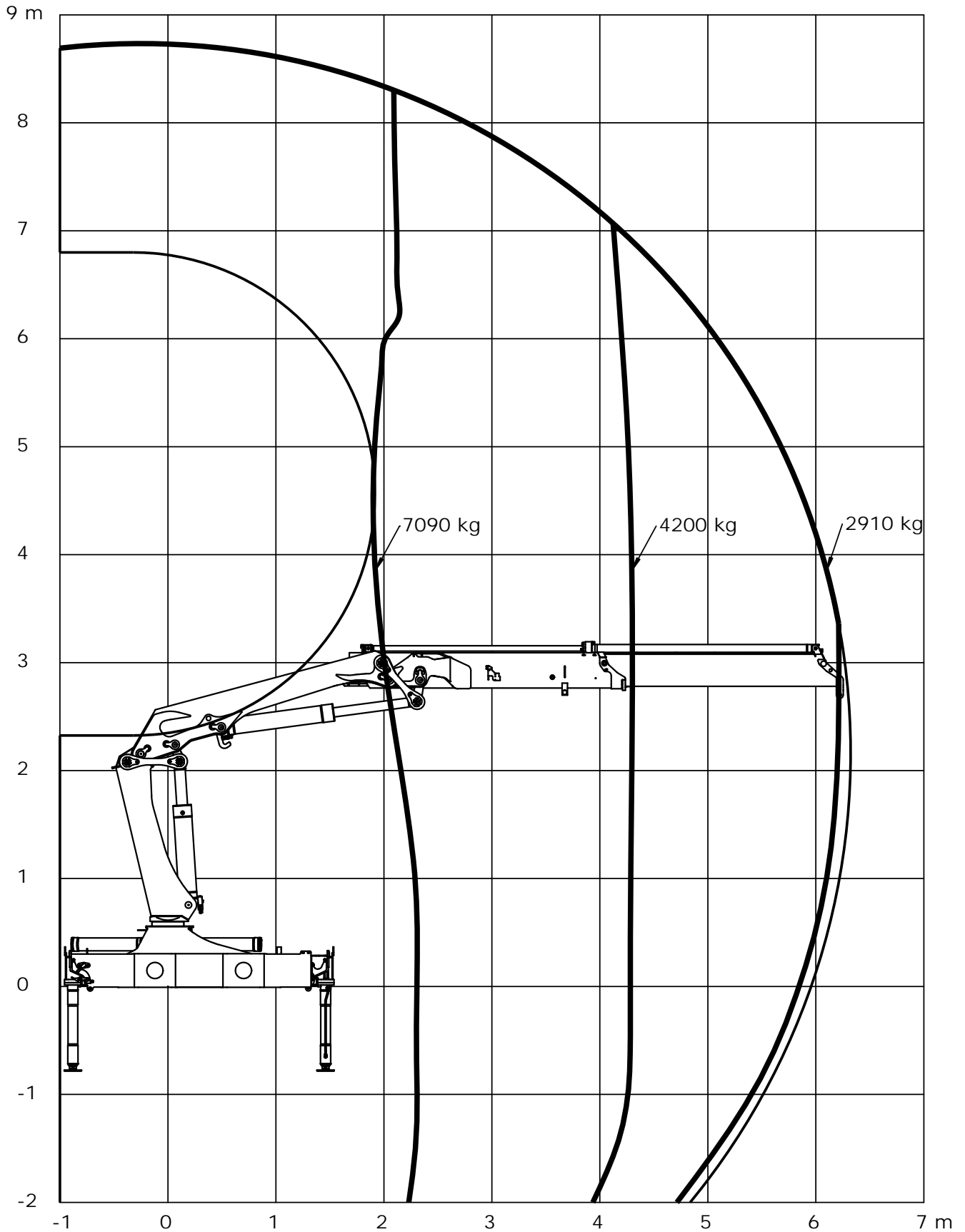


## Lifting capacity diagram, K1

Catalogue no.	Section
31 127	221
Date	Page
31-08-2018	1 (1)

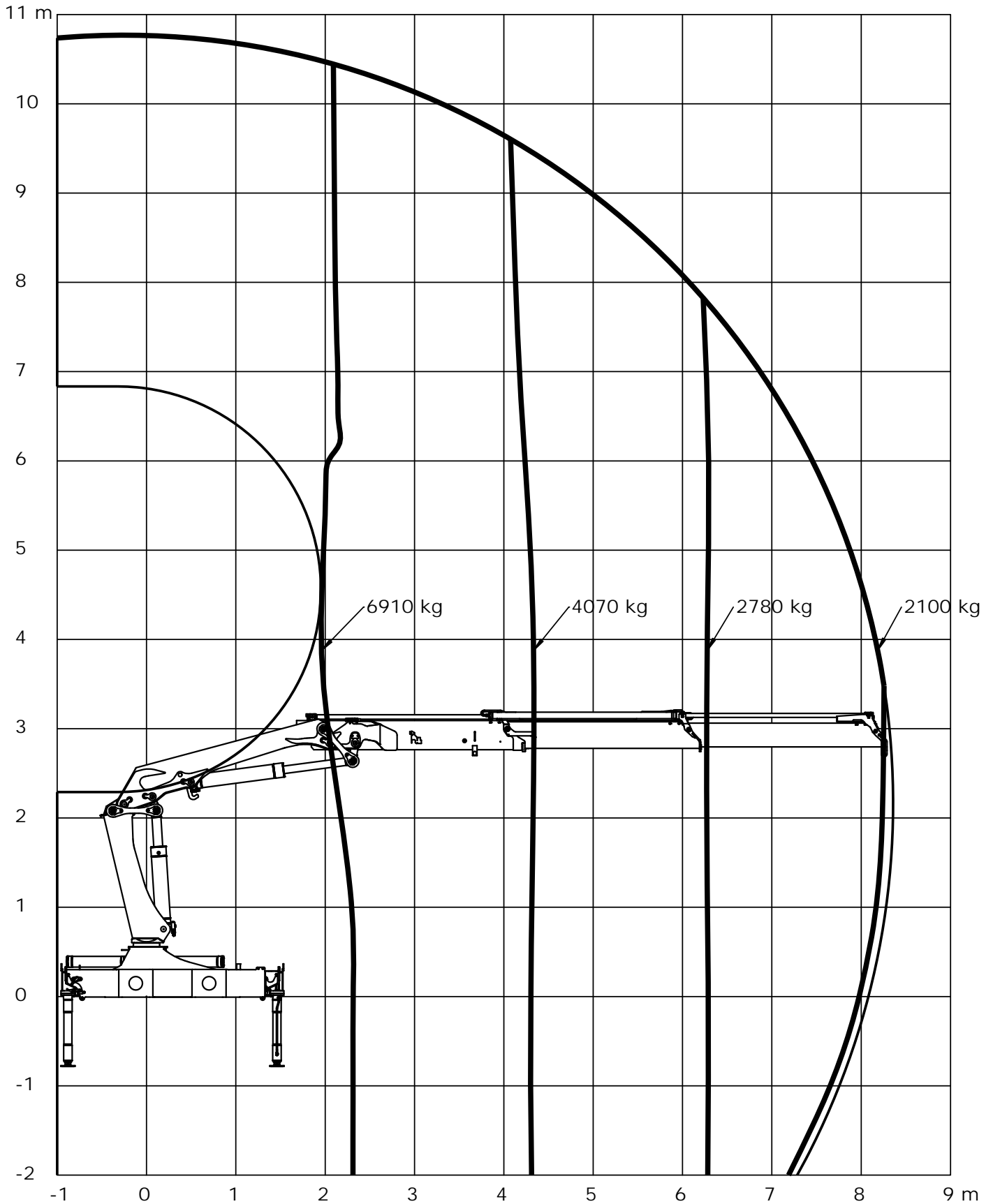


Loading group: EN12999 H1/B3



## Lifting capacity diagram, K2

Catalogue no.	Section
31 127	222
Date	Page
31-08-2018	1 (1)

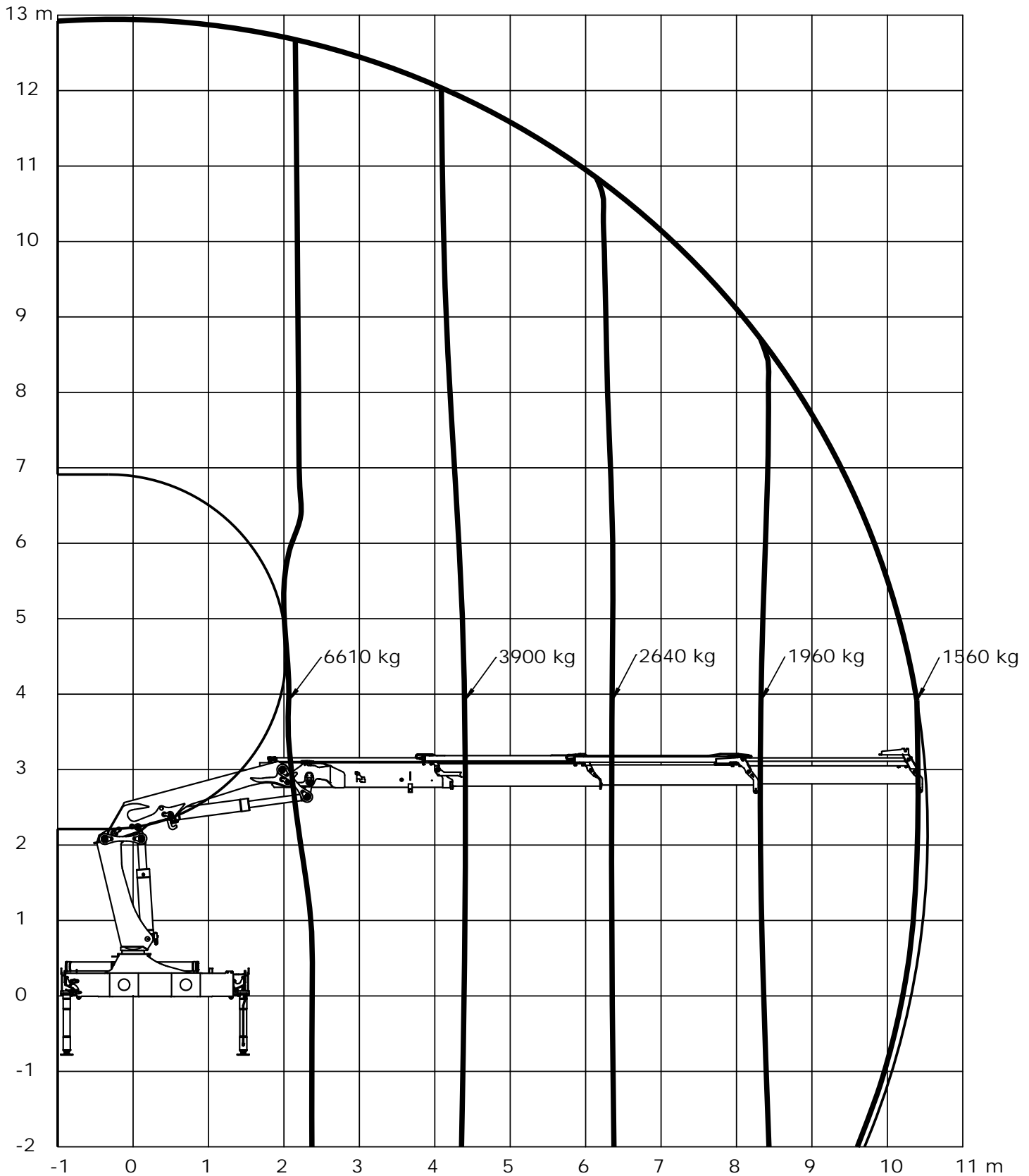


Loading group: EN12999 H1/B3



## Lifting capacity diagram, K3

Catalogue no.	Section
31 127	223
Date	Page
31-08-2018	1 (1)

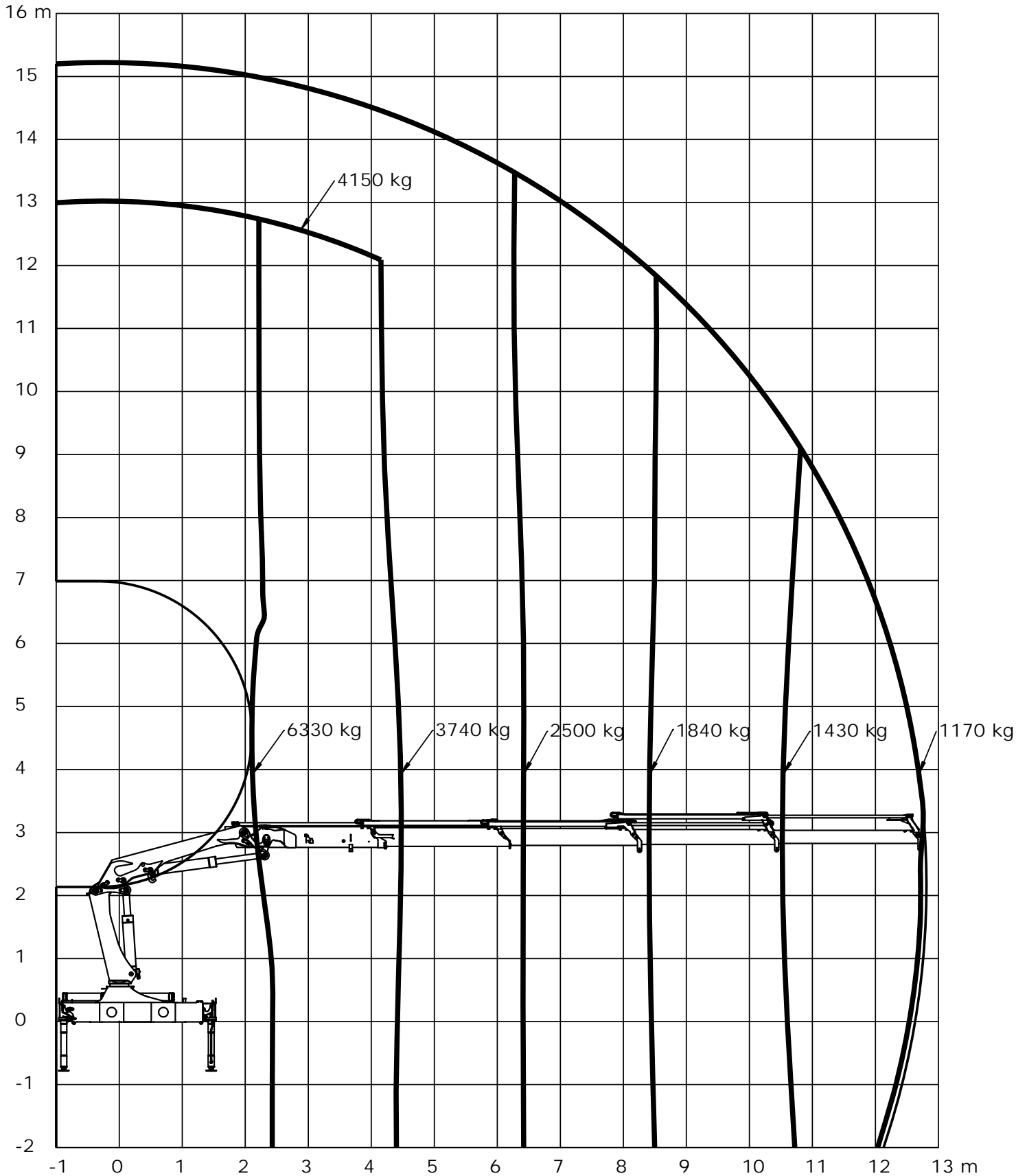


Loading group: EN12999 H1/B3



## Lifting capacity diagram, K4

Catalogue no.	Section
31 127	224
Date	Page
31-08-2018	1 (1)

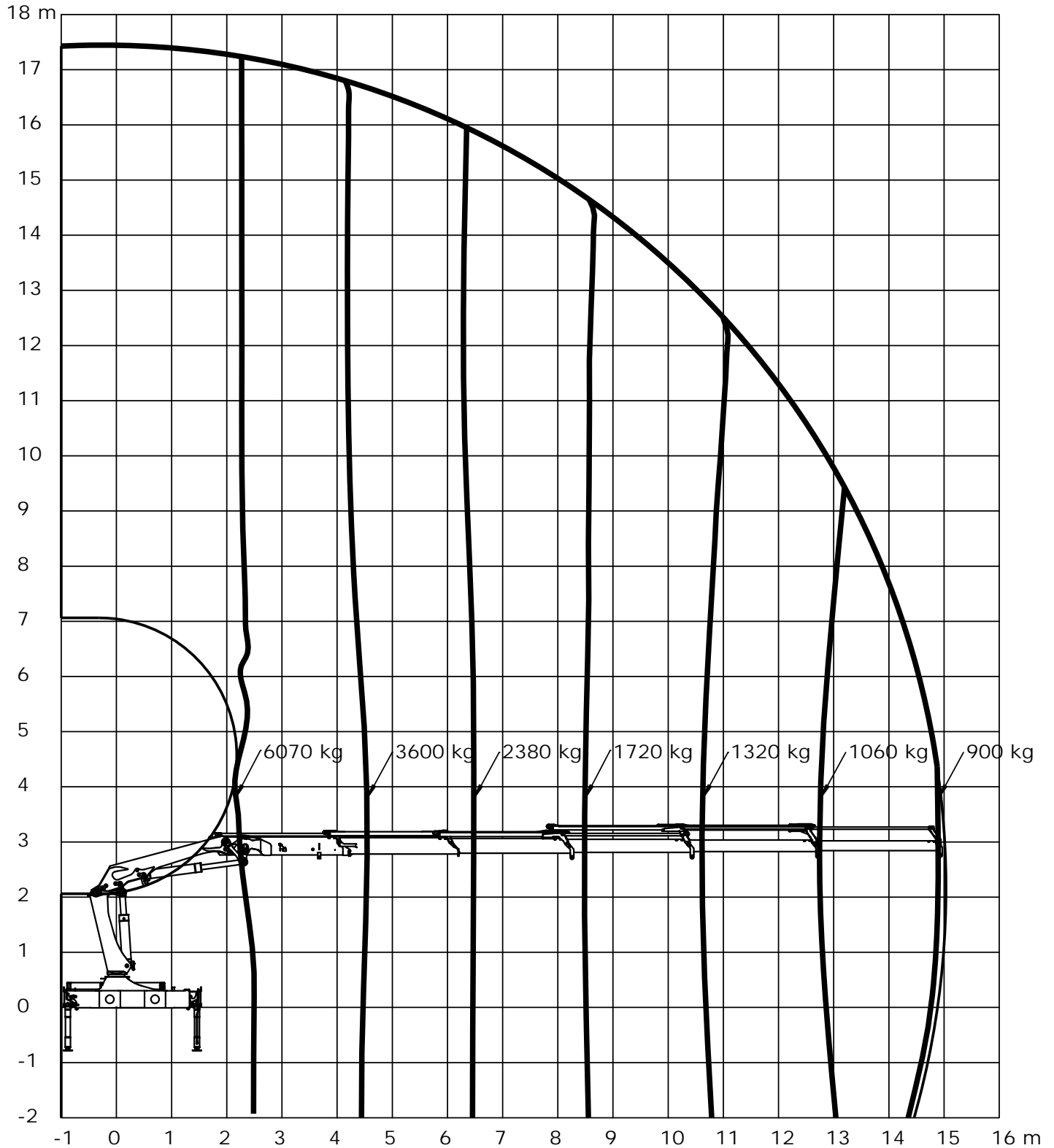


Loading group: EN12999 H1/B3



## Lifting capacity diagram, K5

Catalogue no.	Section
31 127	225
Date	Page
31-08-2018	1 (1)

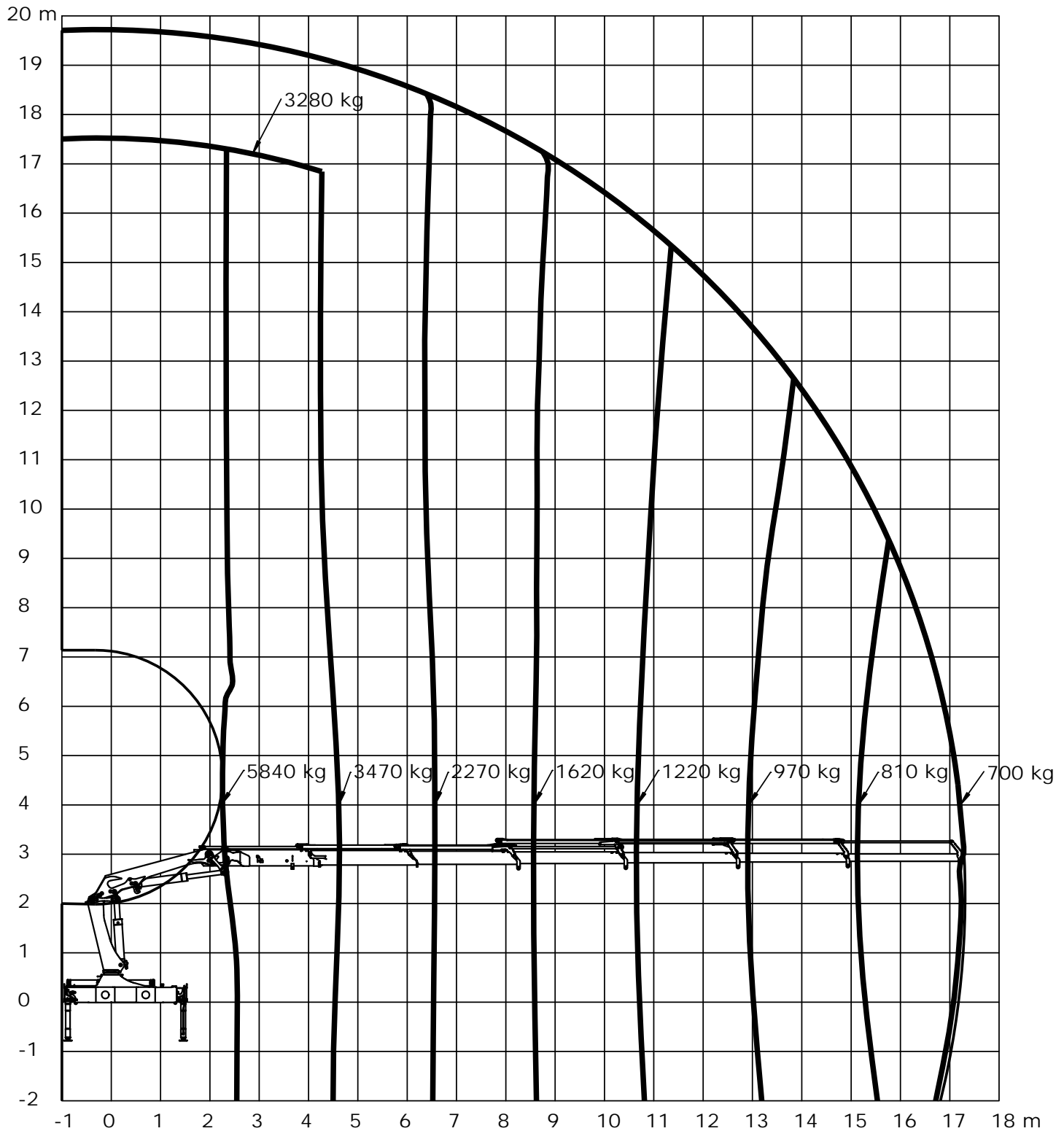


Loading group: EN12999 H1/B3



## Lifting capacity diagram, K6

Catalogue no.	Section
31 127	226
Date	Page
31-08-2018	1 (1)



Loading group: EN12999 H1/B3

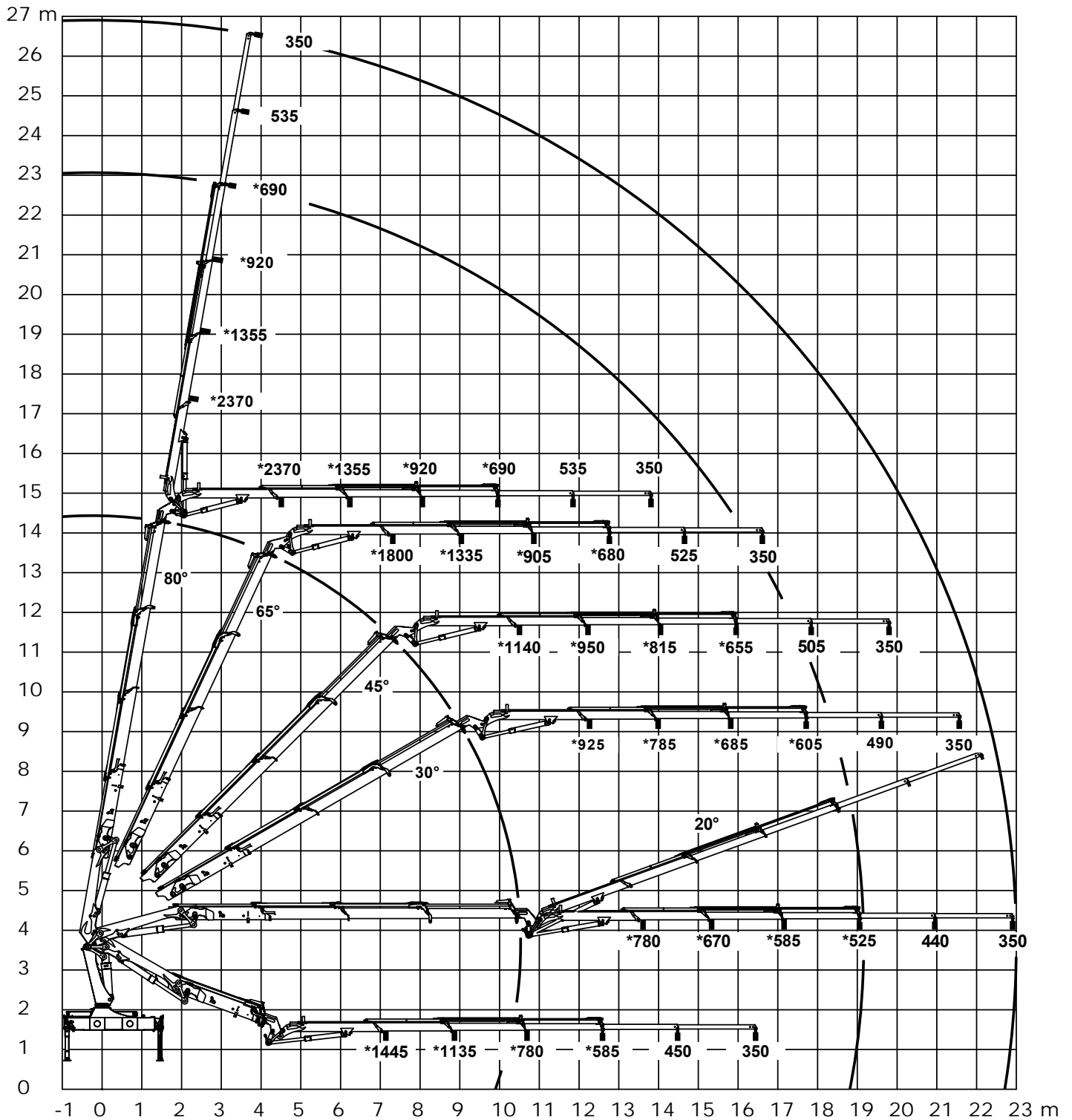


# Technical Information 1920K-RCS



## Lifting capacity diagram, 1920-K3 with FJ700 K3

Catalogue no.	Section
31 127	253
Date	Page
31-08-2018	1 (1)



\*Uden forlængerarme  
 \*Without manual extensions  
 \*Ohne Verlängerungen

- power to lift. -

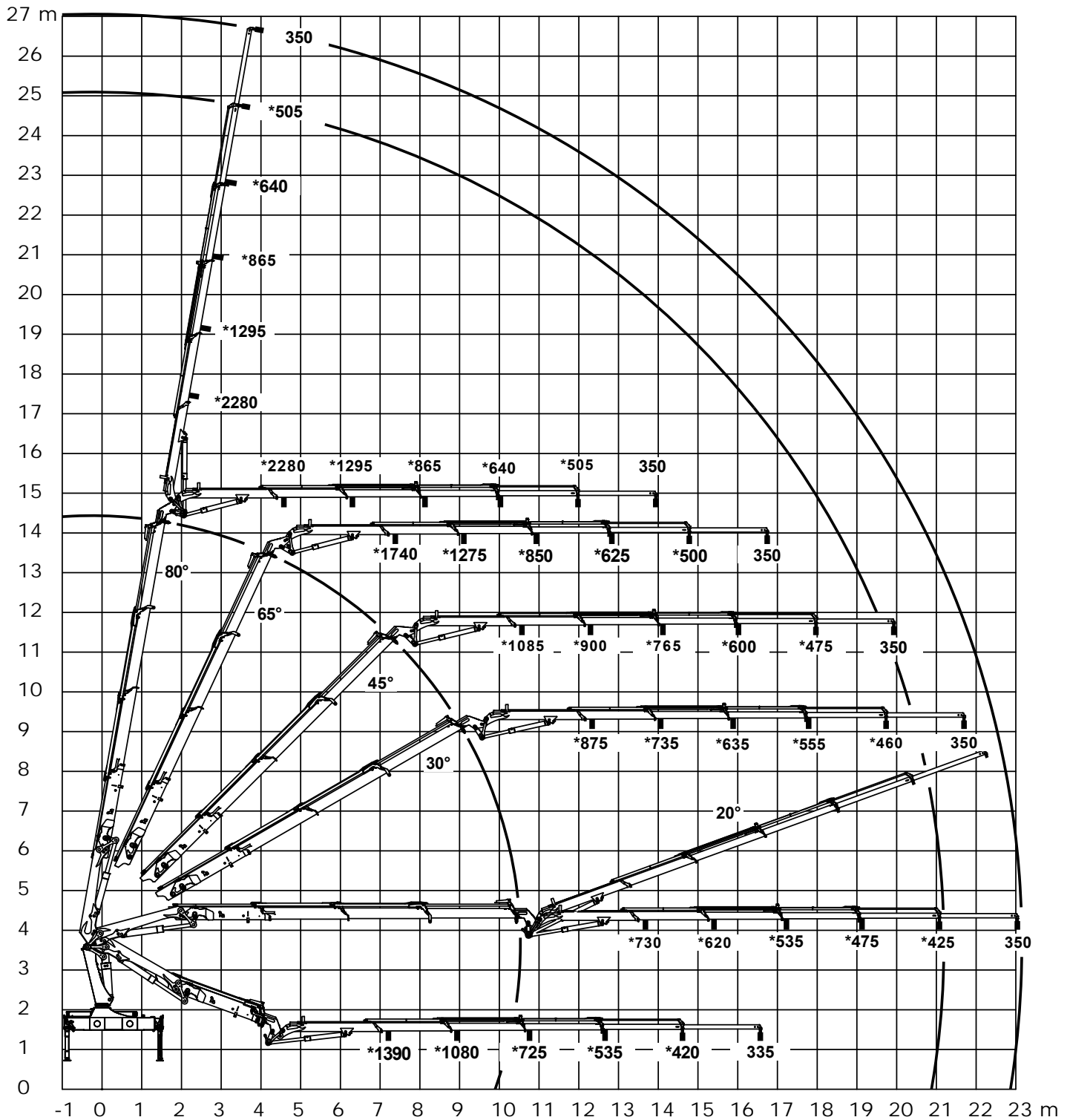


# Technical Information 1920K-RCS



## Lifting capacity diagram, 1920-K3 with FJ700 K4

Catalogue no.	Section
31 127	254
Date	Page
31-08-2018	1 (1)



\*Uden forlængerarme  
 \*Without manual extensions  
 \*Ohne Verlängerungen

