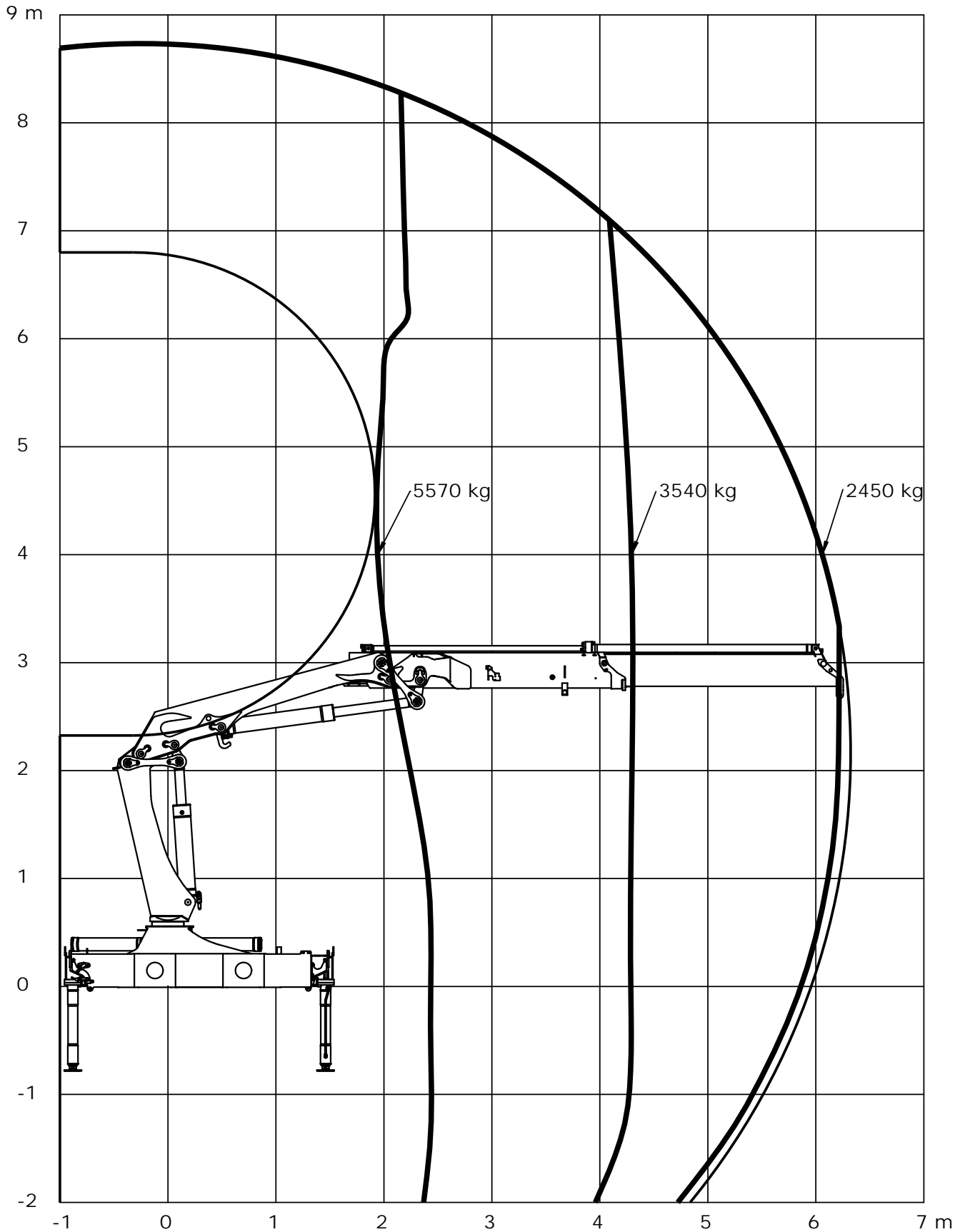


Lifting capacity diagram, K1

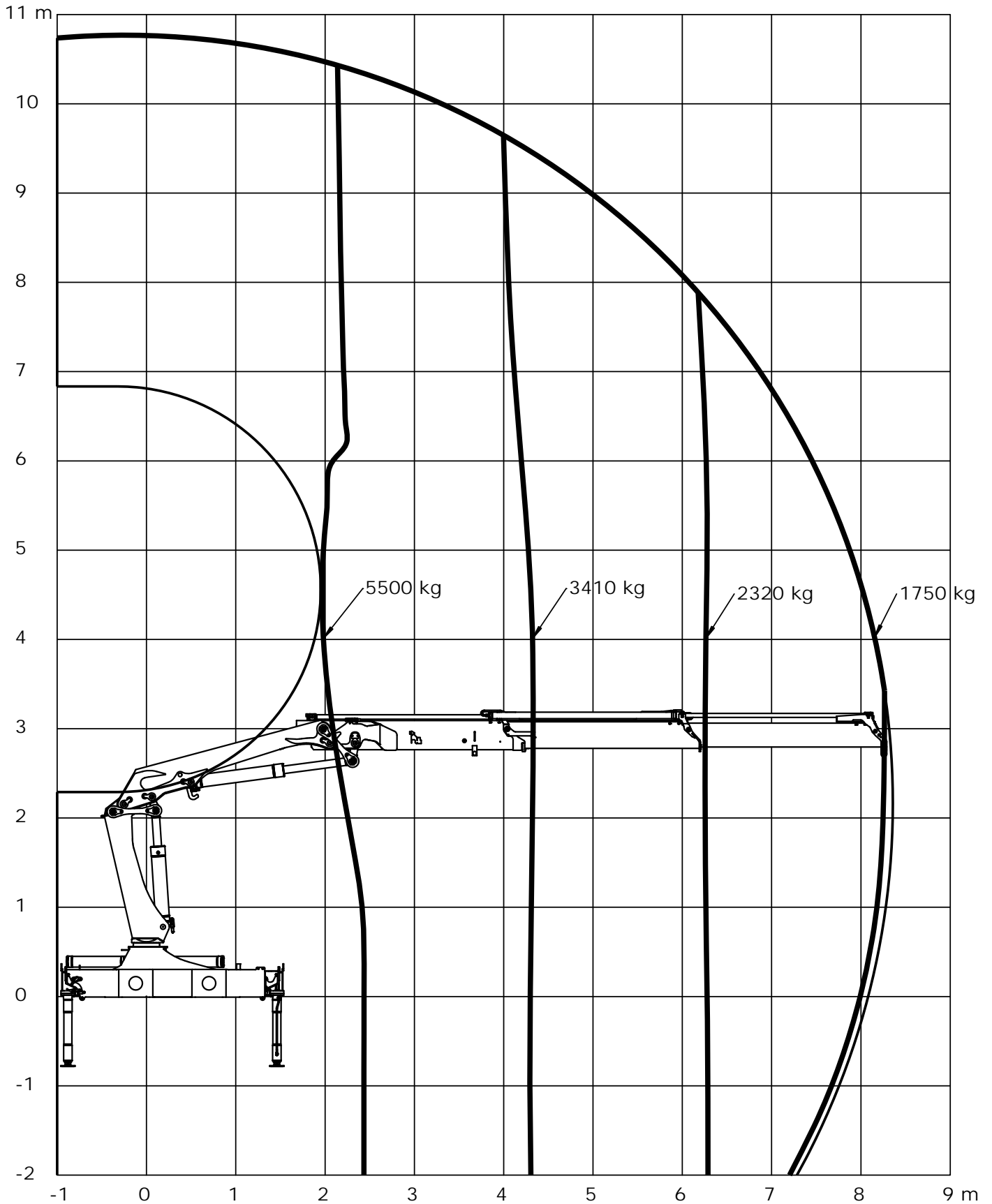
Catalogue no.	Section
31 125	221
Date	Page
31-08-2018	1 (1)



Loading group: EN12999 H1/B3

Lifting capacity diagram, K2

Catalogue no.	Section
31 125	222
Date	Page
31-08-2018	1 (1)

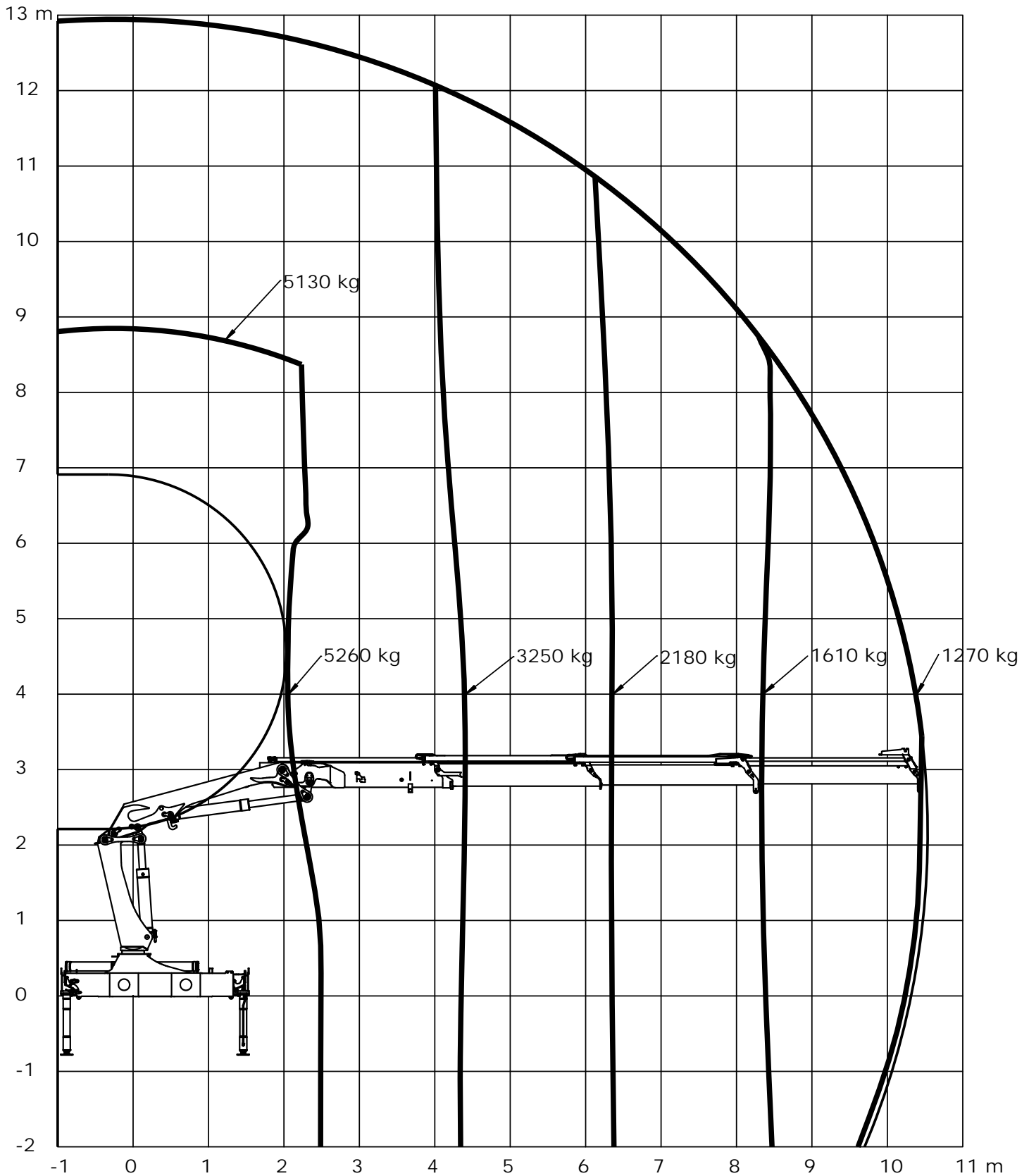


Loading group: EN12999 H1/B3



Lifting capacity diagram, K3

Catalogue no.	Section
31 125	223
Date	Page
31-08-2018	1 (1)

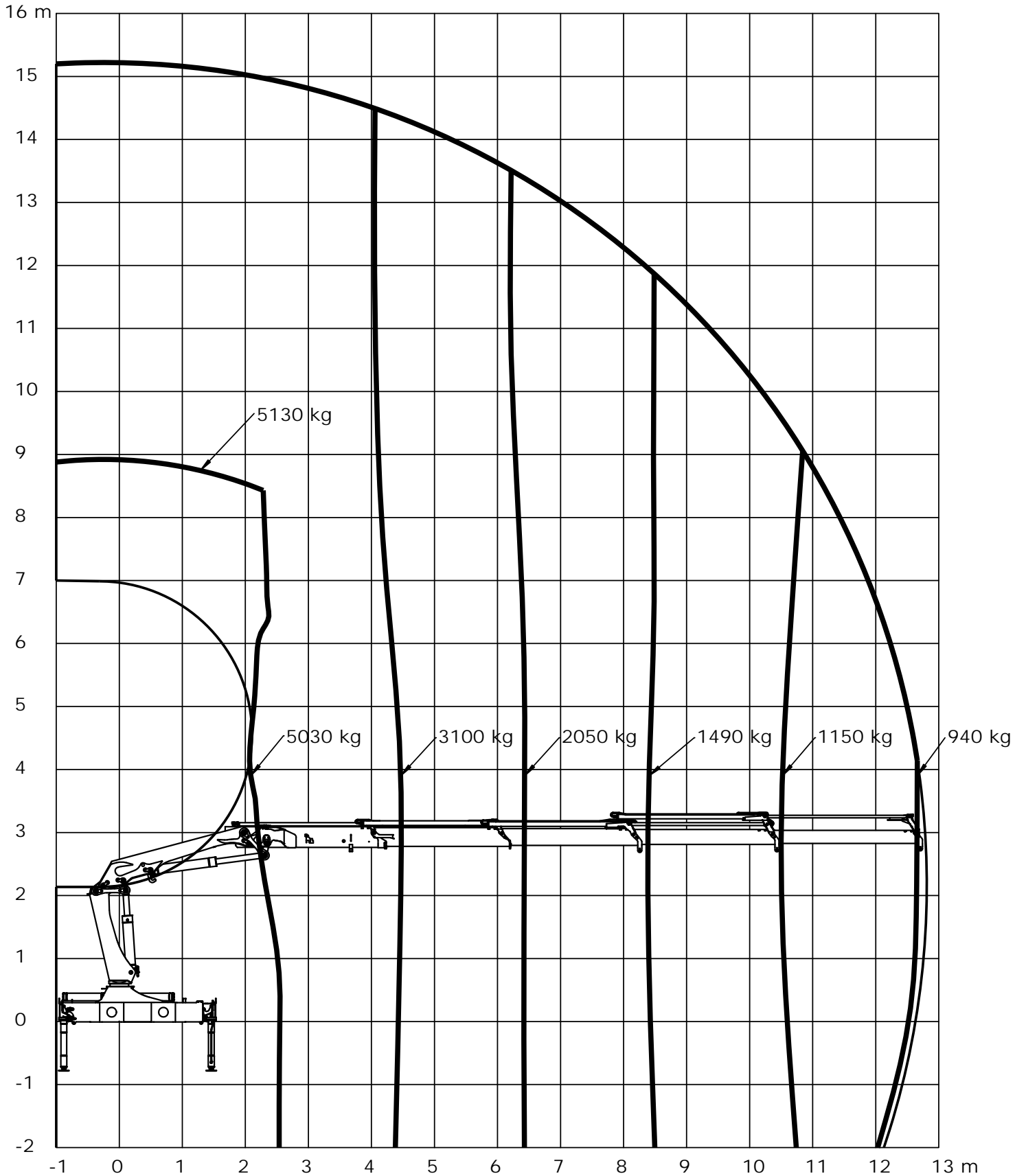


Loading group: EN12999 H1/B3



Lifting capacity diagram, K4

Catalogue no.	Section
31 125	224
Date	Page
31-08-2018	1 (1)

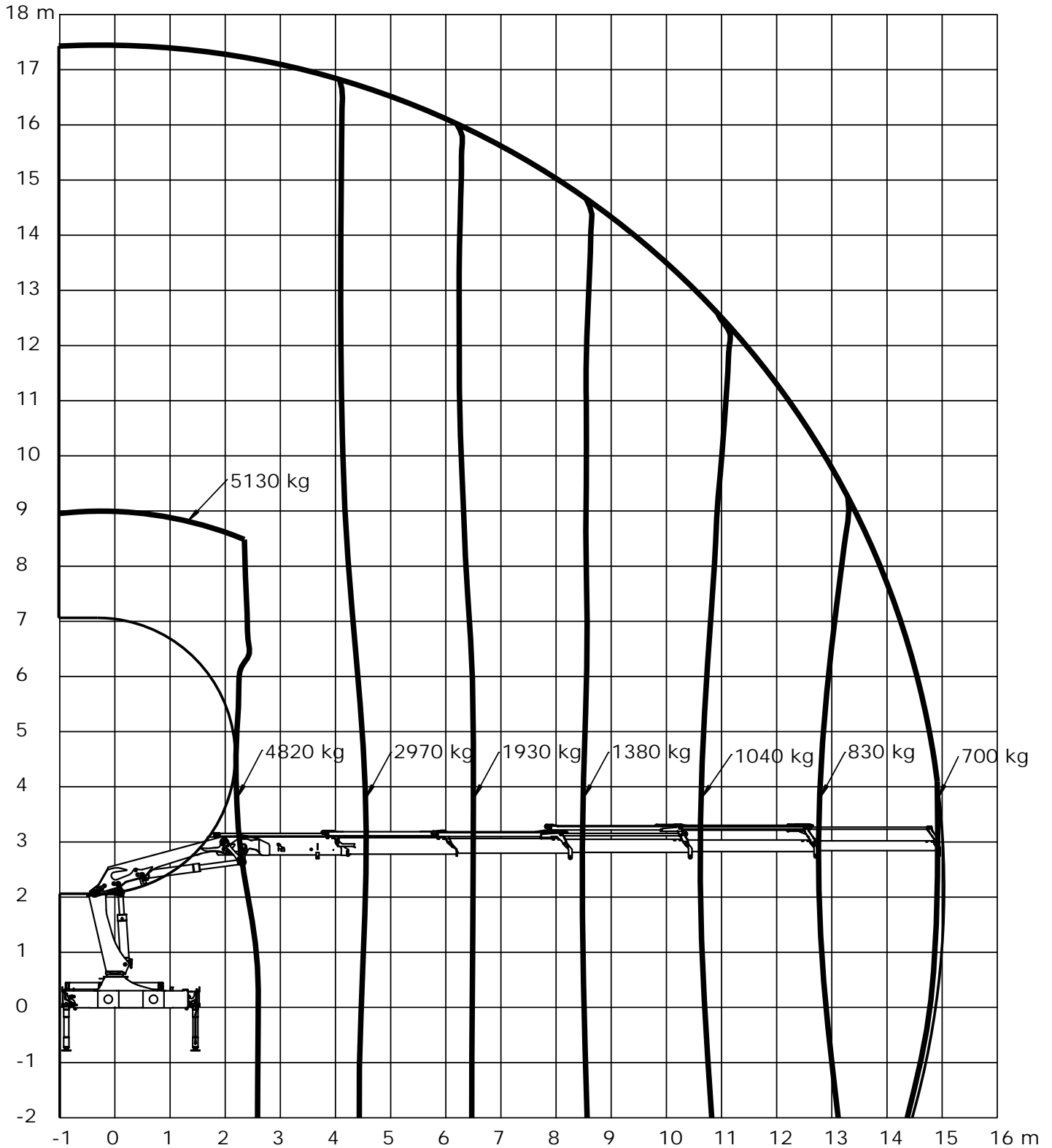


Loading group: EN12999 H1/B3



Lifting capacity diagram, K5

Catalogue no.	Section
31 125	225
Date	Page
31-08-2018	1 (1)

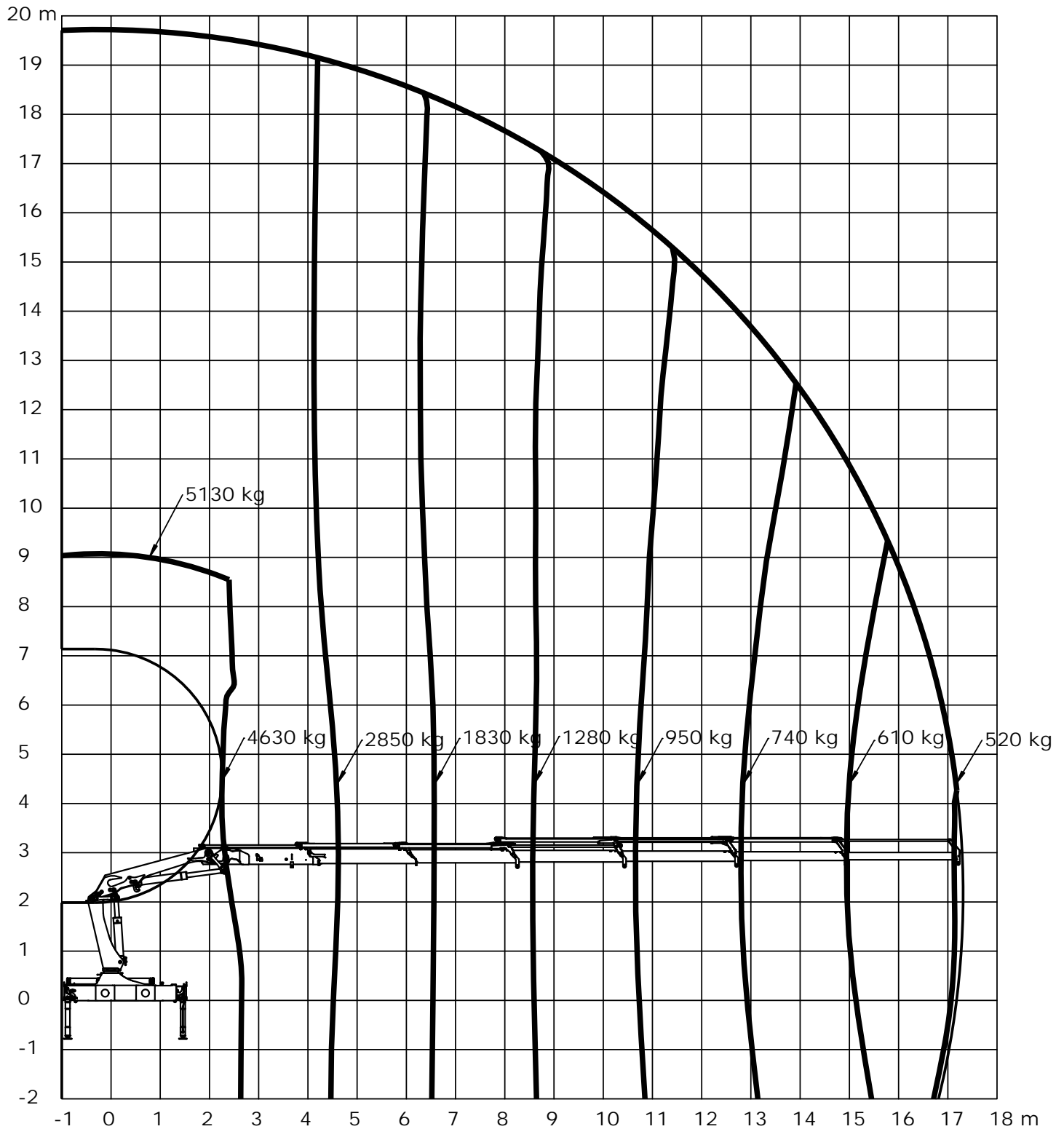


Loading group: EN12999 H1/B3



Lifting capacity diagram, K6

Catalogue no.	Section
31 125	226
Date	Page
31-08-2018	1 (1)



Loading group: EN12999 H1/B3

